



RV Generator set Quiet Gasoline™ Series RV QG 5500 EFI



Features and Benefits

- Electronic fuel injection - industry first for maximum performance.
- Quietest generator set in its class.
- Exceptionally low vibration levels.
- Integrated design with enclosed muffler for easy installation.
- Self-diagnostic capability to simplify troubleshooting.
- Runs two air conditioners with power to spare.
- Digital voltage regulation for stability as appliance loads change.
- 3-year limited warranty, lifetime drive warranty.

Weight, Size and Sound level

Weight: 288 lbs (131 kg)

Size: Length 33.6 in (853 mm), width 22.2 in (563 mm), height 16.7 in (425 mm)

Sound: 69 dB(A) readings at 10 ft (3 m) half load

Meets National Park Service sound level requirements (60 dB(A) @ 50 ft) for use in national parks. Typical installation will further reduce sound level.

Models and Ratings

Model	Fuel	Packaging	Hz	RPM	Watts	Voltage	Amps	Phase	Circuit breaker
5.5 HGJAA-1273 (1384**)	Gasoline	Tubbed	60	2400	5500	120	45.8	1	(2) 30 A
5.5 HGJAA-600	Gasoline	Crated	60	2400	5500	120	45.8	1	(1) 30 A, (1) 20 A HACR

Ambient conditions for rated power output with muffler and RV enclosure, per ISO 8528-1:

- Temperature: 77° F (25° C)
 - Altitude: 500 ft (152.4 m), (99 kPa dry)
- Typical power output change based on ambient conditions:
- Temperature: Power output decreases 1% for every 10° F (5.5° C) increase
 - Altitude: Power output decreases 3.5% for every 1000 ft (305 m) increase

** Factory OEM packaging

Operating Temperature Range

	Low	High
Gasoline	-20° F (-29° C)	120° F (49° C)

- Depends upon LP tank capacity, surface area and butane content of LPG.

Standard Features

- Electronic fuel injection (EFI) for clean, smooth running under all conditions
- Maintenance-free electronic governor
- Cummins Onan OHV engine
- Pressurized Thru Flow cooling system
- 4-point focalized mounting system with vibration isolators
- Universal mounting tray with structural capability to support the generator set in RV applications
- Integral USDA Forest Service-approved spark-arrestor muffler
- Replaceable two-stage dry element air cleaner
- Integral control box
- Instant one-touch stop switch
- Enclosed muffler
- Sound-attenuated housing
- Remote waterproof connector
- Long-life fuel filter
- Spin-on, full-flow oil filter
- Low oil pressure protection
- Over/under speed protection
- Overcurrent protectors (see Models and ratings section)
- Low power factor field overcurrent protection
- 120 in (3 m) generator set output leads
- Digital voltage regulation
- 2 in exhaust tubes, straight with flanged end

Engine Details

Model: Cummins Onan OHV EH65V gasoline engine
Design: 4-cycle, OHV, 90-degree V-twin
Compression Ratio: 8:1
Displacement: 39.8 in³ (653 cm³)
Maximum Power: 12.9 bhp (9.6 kW)
Cooling: Centrifugal blower, generator set-mounted for high effectiveness, pressurized system, vertical flow
Cooling Air Volume: Air flow includes engine, generator set control cooling air flow
60 Hz at 500 ft³/min (14.2 m³/min)
Fuel System: Digitally controlled, electronic fuel injection
Combustion air volume at rated load: 14.6 ft³/min (0.41 m³/min)
Electronically controlled throttle body governor regulation
Coach chassis-mounted, rotary roller vane pump
Replaceable dry element air cleaner
Ignition System: Electronic magneto type with resistor plugs
Starting System: Remote, 12 V, negative ground. Automotive type starter with steel pinion and ring gear, automatic start disconnect, connector for remote start cable, start-stop rocker switch mounted on set control
Lubrication: Full pressure positive displacement lube oil pump, spin-on, full flow lube oil filter, low oil pressure shutdown, dipstick
Oil Capacity: 2.0 qt (1.9 L) including filter
Cylinder Crankcase: Alloy aluminum with iron cylinder liners cast into the block, aluminum oil base
Cylinder Head: Aluminum, OHV, removable

Average Fuel Consumption

Gasoline, Gal/h (L/h)	No load	Half load	Full load
60 Hz	0.3 (1.3)	0.6 (2.2)	0.9 (3.4)

Alternator Details

Design: Cummins Onan revolving field, AC, 2-pole self-excited, two bearing design

Insulation System and Temperature Rise: Meets ANSI/RVIA EGS-1 and CSA TIL RV-06 requirements

Cooling: Direct drive centrifugal blower, cast aluminum housing for excellent heat transfer

Excitation: Capped, digital voltage regulation

Rotor: Laminated electrical steel assembly press-fitted to shaft, balanced; heavy insulated copper wire windings; optimized air gap for improved waveform and motor starting

Stator: Laminated electrical steel assembly, skewed for improved waveform; heavy insulated copper wire windings

DC Brushes: Electrographite; long life

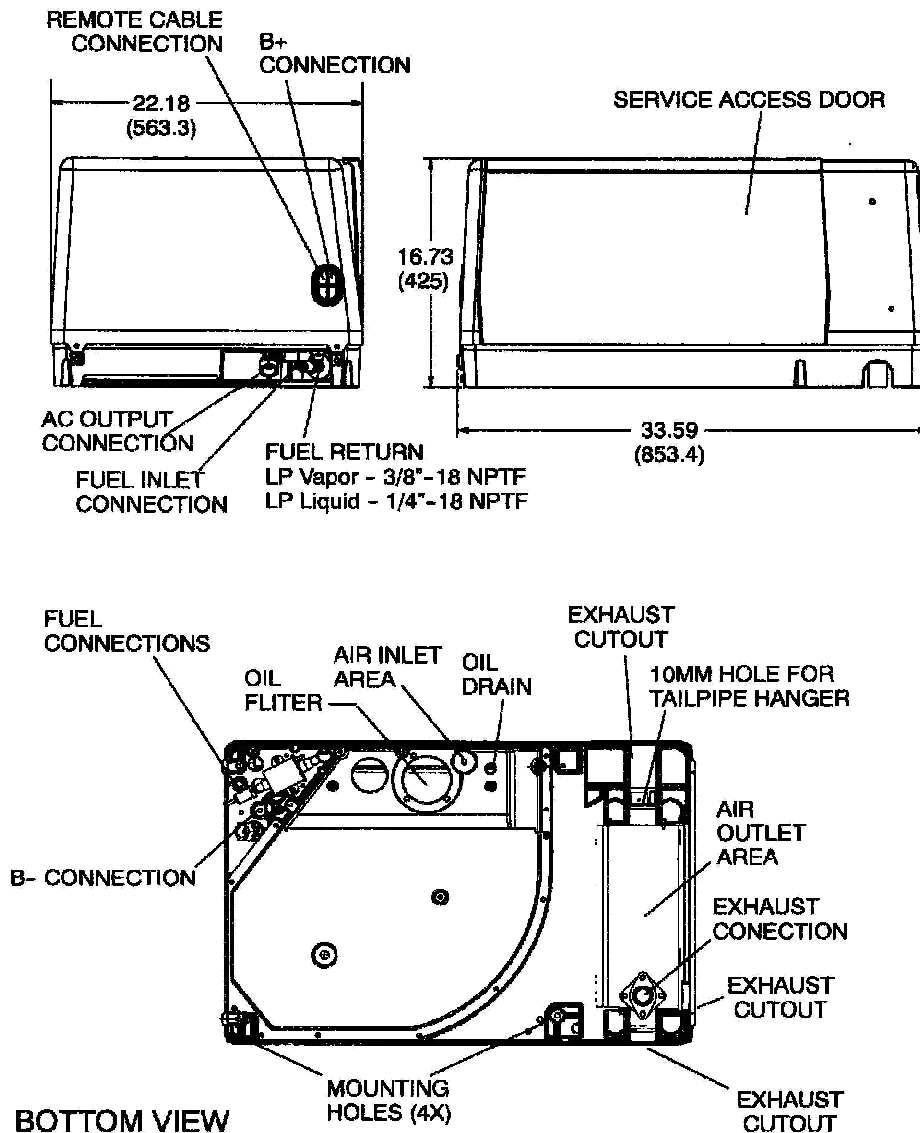
Bearing: Double-sealed, pre-lubricated ball bearing

Generator Set Performance

Air Conditioner Starting: Two 13500 Btu air conditioners with 2500 W base load at 100° F (38° C) at 500 ft (152.4 m) elevation

Frequency and Voltage Regulation: No load to full load, frequency <2%, voltage 0.6%

Basic Dimensions



Note: This outline drawing is provided for general reference only and is not intended for design or installation. For more information see Operation and Installation manuals or obtain drawing 500-3234 and wiring diagram from your distributor/dealer.

Accessories

Remote start/stop rocker switch (P/N 300-5331)
 Remote control with start/stop switch and running time meter (P/N 300-5332)
 Remote control w/start/stop switch and DC voltmeter (P/N 300-5333)
 Remote control plug and wire harness;
 10 ft (P/N 338-3489-01), 30 ft (P/N 338-3489-02)
 Battery, 12 V, 360 cold cranking amps at 0°F (-18°C)
 LPG vapor fuel conversion kit (P/N 148-1161)
 Under floor mounting kit (P/N 405-6699)
 Installation template (P/N 539-2057)

Tailpipe kit: 22 in (P/N 155-3481-01), 26 in (P/N 155-3481-02)
 Exhaust tube, straight with flanged end: 3 in (P/N 155-2610), 7 in (P/N 155-2424), 12.5 in (P/N 155-2610-01)
 Fuel pump kit (P/N 541-1002) required
 Energy command auto generator start EC-30 (P/N 018-02030)
 Energy command remote start/stop with diagnostics EC-20 (P/N 018-02020)
 Energy command wireless start/stop EC-15W (P/N 018-02015)

Testing for RV Application

Tested at extremes of temperature -20 °F (-29 °C) to 120 °F (49 °C) for starting and operation

Tested with RV loads, air conditioners, microwaves, converter, TVs, VCRs

Tested installed; Cummins owned RVs used for product development testing

Tested in high humidity conditions

Tested in salt spray conditions

Tested in heavy airborne dust conditions

Field test program

60 Hz (120 V only) models listed by SGS United States Testing Company, Inc. per ANSI/RVIA EGS-1 and CSA-certified per Std. 100 Motors and Generators and TIL RV-06 This generator set was designed and manufactured in facilities certified to ISO 9001

60 Hz models meet applicable U.S. EPA and California emissions standards

CE certified. CE certification subject to EU RoHS exclusion per EU 2011/65



Warranty Policy

This limited warranty covers virtually everything except routine maintenance for the first two years you own your RV generator set, and covers parts and labor on major power train and generator set parts during the third year. In addition, it also includes a free 90-day adjustment policy, which provides that Cummins Inc. will make minor adjustments during the first three months you own it - free of charge! Please note: This 3-year limited warranty applies to RV generator sets used in RV applications only, and does not apply to RV generator sets used in commercial mobile applications.

The warranty period for the drive train belt and pulleys on the HGJ series generator sets used in recreational vehicles shall be the life of the generator set. For the original owner, this drive train warranty shall include parts and labor. For succeeding owners, this power train warranty shall cover belt and pulley parts only.

Contact your distributor/dealer for more information.

Cummins Onan

Cummins Power Generation

1400 73rd Ave. NE

Minneapolis, MN 55432 USA

Phone 1 763 574 5000

Toll-free 1 800 888 6626

Fax 1 763 574 5298

Email www.cumminsonan.com/contact

Performance you rely on.™

©2019 Cummins Power Generation Inc. All rights reserved.

Cummins®, Onan®, the "C" logo, Performance you rely on.™ and Quiet Diesel™ are servicemarks, trademarks and/or registered trademarks of Cummins Inc. Other company, product, or service names may be trademarks or service marks of others.

Specifications are subject to change without notice.

PDA-1430 (05/19)

After Sale Support

Complete Line of Parts and Accessories

Cummins Inc offers replacement and tune-up parts, accessories, oil and maintenance chemicals - all

specially designed to help

keep your Cummins Onan

generator set running at

peak performance. Cummins

Inc. also provides genuine

Onan Green Label Parts™

that exactly match generator

set specifications and will

help maximize power output

and extend the life of your

generator set.



Largest Distributor/Dealer Support Network

Cummins Onan generator sets are supported by the largest and best trained worldwide certified

distributor/dealer network in the industry. This network of

knowledgeable Cummins Onan distributor/dealers will

help you select and install the right generator set and

accessories to meet the requirements of your specific

application. This same network offers a complete

selection of commonly used generator set maintenance

parts, accessories and products plus manuals and

specification sheets. Plus, they can answer your

questions regarding proper operation, maintenance

schedules and more.

Manuals: Operation and installation manuals ship with the

generator set. To obtain additional copies or other

manuals for this model, see your Cummins Onan

distributor/dealer and request the following manual

numbers: Operation (A035D009), Installation (A035D005),

Parts (983-0201 I15), Service (A035D011).

To easily locate the nearest Cummins Onan

distributor/dealer in your area, or for more information,

contact us at 1-800-888-6626 (or 763-574-5000), or visit

www.cumminsonan.com.

! WARNING:

Do not use this generator set on a boat. Such use may violate U.S. Coast Guard regulations, and can result in severe personal injury or death from fire, explosion, electrocution, or carbon monoxide poisoning.

! WARNING:

Back feed to a utility system can cause electrocution and/or property damage. Do not connect to any building electrical except through an approved device or after building main breaker is open.



cumminsonan.com