



# RV generator set Quiet Gasoline™ Series RV QG 5500 EFI



## Features and benefits

- Electronic fuel injection - industry first for maximum performance.
- Quietest generator set in its class.
- Exceptionally low vibration levels.
- Integrated design with enclosed muffler for easy installation.
- Self-diagnostic capability to simplify troubleshooting.
- Runs two air conditioners with power to spare.
- Digital voltage regulation for stability as appliance loads change.
- 3-year limited warranty, lifetime drive warranty.

## Weight, size and sound level

**Weight:** 288 lbs (131 kg)

**Size:** Length 33.6 in (853 mm), width 22.2 in (563 mm), height 16.7 in (425 mm)

**Sound:** 69 dB(A) readings at 10 ft (3 m) half load

- Meets National Park Service sound level requirements (60 dB(A) @ 50 ft) for use in national parks.
- Typical installation will further reduce sound level.

## Models and ratings

Model	Fuel	Packaging	Hz	RPM	Watts	Voltage	Amps	Phase	Circuit breaker
<b>5.5 HGJAA-1273 (1384**)</b>	Gasoline	Tubbed	60	2400	5500	120	45.8	1	(2) 30 A
<b>5.5 HGJAA-600</b>	Gasoline	Crated	60	2400	5500	120	45.8	1	(1) 30 A, (1) 20 A HACR

Ambient conditions for rated power output with muffler and RV enclosure, per ISO 8528-1:

- Temperature: 77° F (25° C)
- Altitude: 500 ft (152.4 m), (99 kPa dry)

Typical power output change based on ambient conditions:

- Temperature: Power output decreases 1% for every 10° F (5.5° C) increase
- Altitude: Power output decreases 3.5% for every 1000 ft (305 m) increase

\*\* Factory OEM packaging

## Operating temperature range

	Low	High
<b>Gasoline</b>	-20° F (-29° C)	120° F (49° C)

- Depends upon LP tank capacity, surface area and butane content of LPG.

## Standard features

- Electronic fuel injection (EFI) for clean, smooth running under all conditions
- Maintenance-free electronic governor
- Cummins Onan OHV engine
- Pressurized Thru Flow cooling system
- 4-point focalized mounting system with vibration isolators
- Universal mounting tray with structural capability to support the generator set in RV applications
- Integral USDA Forest Service-approved spark-arrestor muffler
- Replaceable two-stage dry element air cleaner
- Integral control box
- Instant one-touch stop switch
- Enclosed muffler
- Sound-attenuated housing
- Remote waterproof connector
- Long-life fuel filter
- Spin-on, full-flow oil filter
- Low oil pressure protection
- Over/under speed protection
- Overcurrent protectors (see Models and ratings section)
- Low power factor field overcurrent protection
- 120 in (3 m) generator set output leads
- Digital voltage regulation
- 2 in exhaust tubes, straight with flanged end

## Engine details

**Model:** Cummins Onan OHV EH65V gasoline engine

**Design:** 4-cycle, OHV, 90-degree V-twin

**Compression ratio:** 8:1

**Displacement:** 39.8 in<sup>3</sup> (653 cm<sup>3</sup>)

**Maximum power:** 12.9 bhp (9.6 kW)

**Cooling:** Centrifugal blower, generator set-mounted for high effectiveness, pressurized system, vertical flow

**Cooling air volume:** Air flow includes engine, generator set control cooling air flow

**60 Hz** at 500 ft<sup>3</sup>/min (14.2 m<sup>3</sup>/min)

**Fuel System:** Digitally controlled, electronic fuel injection

- Combustion air volume at rated load: 14.6 ft<sup>3</sup>/min (0.41 m<sup>3</sup>/min)
- Electronically controlled throttle body governor regulation
- Coach chassis-mounted, rotary roller vane pump
- Replaceable dry element air cleaner

**Ignition system:** Electronic magneto type with resistor plugs

**Starting system:** Remote, 12 V, negative ground. Automotive type starter with steel pinion and ring gear, automatic start disconnect, connector for remote start cable, start-stop rocker switch mounted on set control

**Lubrication:** Full pressure positive displacement lube oil pump, spin-on, full flow lube oil filter, low oil pressure shutdown, dipstick

**Oil capacity:** 2.0 qt (1.9 L) including filter

**Cylinder crankcase:** Alloy aluminum with iron cylinder liners cast into the block, aluminum oil base

**Cylinder head:** Aluminum, OHV, removable

## Average fuel consumption

Gasoline, Gal/h (L/h)	No load	Half load	Full load
<b>60 Hz</b>	0.3 (1.3)	0.6 (2.2)	0.9 (3.4)

## Alternator details

**Design:** Cummins Onan revolving field, AC, 2-pole self-excited, two bearing design

**Insulation system and temperature rise:** Meets ANSI/RVIA EGS-1 and CSA TIL RV-06 requirements

**Cooling:** Direct drive centrifugal blower, cast aluminum housing for excellent heat transfer

**Excitation:** Capped, digital voltage regulation

**Rotor:** Laminated electrical steel assembly press-fitted to shaft, balanced; heavy insulated copper wire windings; optimized air gap for improved waveform and motor starting

**Stator:** Laminated electrical steel assembly, skewed for improved waveform; heavy insulated copper wire windings

**DC brushes:** Electrographite; long life

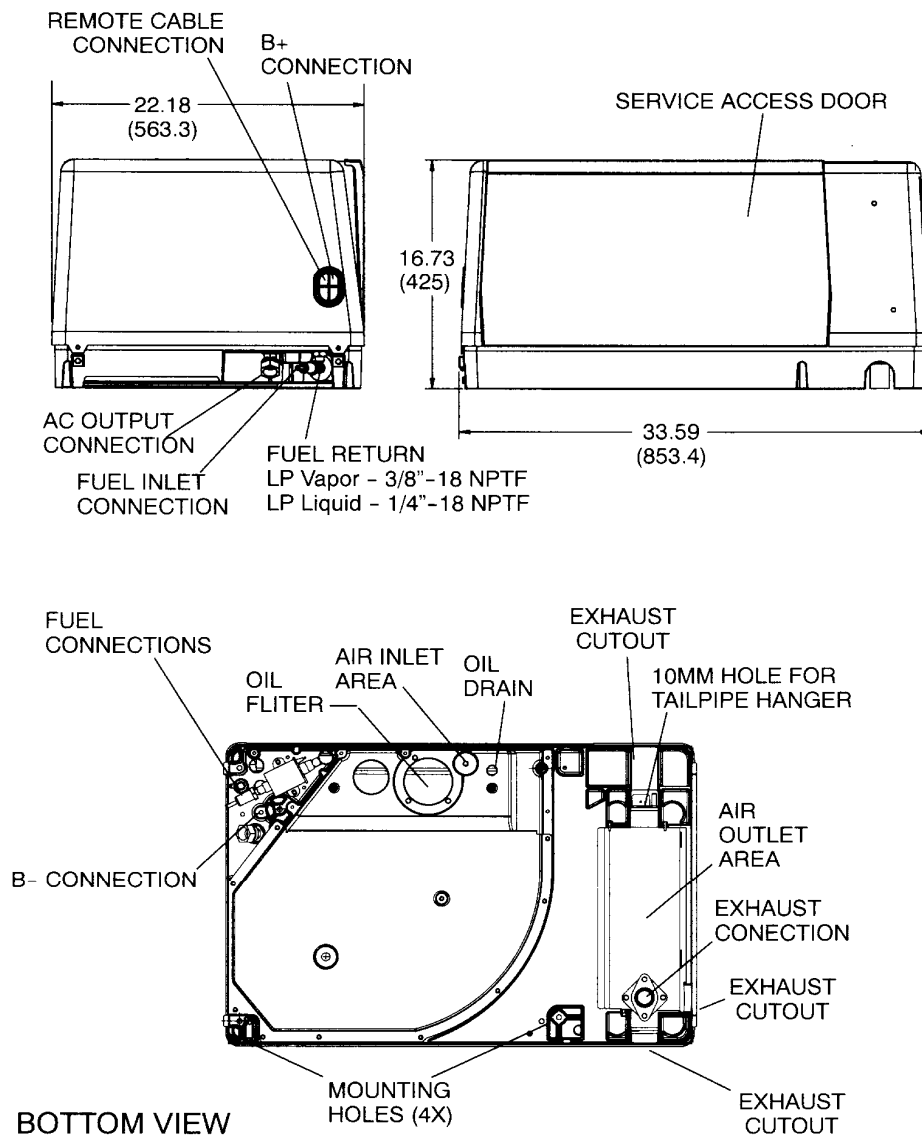
**Bearing:** Double-sealed, pre-lubricated ball bearing

## Generator set performance

**Air conditioner starting:** Two 13500 Btu air conditioners with 2500 W base load at 100° F (38° C) at 500 ft (152.4 m) elevation

**Frequency and voltage regulation:** No load to full load, frequency <2%, voltage 0.6%

## Basic dimensions



**Note:** This outline drawing is provided for general reference only and is not intended for design or installation. For more information see Operation and Installation manuals or obtain drawing 500-3234 and wiring diagram from your distributor/dealer.

## Accessories

- Remote start/stop rocker switch (P/N 300-5331)
- Remote control with start/stop switch and running time meter (P/N 300-5332)
- Remote control w/start/stop switch and DC voltmeter (P/N 300-5333)
- Remote control plug and wire harness; 10 ft (P/N 338-3489-01), 30 ft (P/N 338-3489-02)
- Battery, 12 V, 360 cold cranking amps at 0° F (-18° C)
- LPG vapor fuel conversion kit (P/N 148-1161)
- Under floor mounting kit (P/N 405-6699)
- Installation template (P/N 539-2057)
- Tailpipe kit: 22 in (P/N 155-3481-01), 26 in (P/N 155-3481-02)
- Exhaust tube, straight with flanged end: 3 in (P/N 155-2610), 7 in (P/N 155-2424), 12.5 in (P/N 155-2610-01)
- Fuel pump kit (P/N 541-1002) required
- Energy command auto generator start EC-30 (P/N 018-02030)
- Energy command remote start/stop with diagnostics EC-20 (P/N 018-02020)
- Energy command wireless start/stop EC-15W (P/N 018-02015)

## Testing for RV application

- Tested at extremes of temperature -20 °F (-29 °C) to 120 °F (49 °C) for starting and operation
- Tested with RV loads, air conditioners, microwaves, converter, TVs, VCRs
- Tested installed; Cummins owned RVs used for product development testing
- Tested in high humidity conditions
- Tested in salt spray conditions
- Tested in heavy airborne dust conditions
- Field test program
- 60 Hz (120 V only) models listed by SGS United States Testing Company, Inc. per ANSI/RVIA EGS-1 and CSA-certified per Std. 100 Motors and Generators and TIL RV-06
- This generator set was designed and manufactured in facilities certified to ISO 9001
- 60 Hz models meet applicable U.S. EPA and California emissions standards



## Warranty policy

This limited warranty covers virtually everything except routine maintenance for the first two years you own your RV generator set, and covers parts and labor on major power train and generator set parts during the third year. In addition, it also includes a free 90-day adjustment policy, which provides that Cummins Inc. will make minor adjustments during the first three months you own it - free of charge! Please note: This 3-year limited warranty applies to RV generator sets used in RV applications only, and does not apply to RV generator sets used in commercial mobile applications.

The warranty period for the drive train belt and pulleys on the HGJ series generator sets used in recreational vehicles shall be the life of the generator set. For the original owner, this drive train warranty shall include parts and labor. For succeeding owners, this power train warranty shall cover belt and pulley parts only.



### WARNING:

Do not use this generator set on a boat. Such use may violate U.S. Coast Guard regulations, and can result in severe personal injury or death from fire, explosion, electrocution, or carbon monoxide poisoning.



### WARNING:

Back feed to a utility system can cause electrocution and/or property damage. Do not connect to any building electrical except through an approved device or after building main breaker is open.

## After sale support

### Complete line of parts and accessories

Cummins Inc offers replacement and tune-up parts, accessories, oil and maintenance chemicals - all specially designed to help keep your Cummins Onan generator set running at peak performance. Cummins Inc. also provides genuine Onan Green Label Parts™ that exactly match generator set specifications and will help maximize power output and extend the life of your generator set.



### Largest distributor/dealer support network

Cummins Onan generator sets are supported by the largest and best trained worldwide certified distributor/dealer network in the industry. This network of knowledgeable Cummins Onan distributor/dealers will help you select and install the right generator set and accessories to meet the requirements of your specific application. This same network offers a complete selection of commonly used generator set maintenance parts, accessories and products plus manuals and specification sheets. Plus, they can answer your questions regarding proper operation, maintenance schedules and more.

**Manuals:** Operation and installation manuals ship with the generator set. To obtain additional copies or other manuals for this model, see your Cummins Onan distributor/dealer and request the following manual numbers: Operation (A035D009), Installation (A035D005), Parts (983-0201 115), Service (A035D011).

To easily locate the nearest Cummins Onan distributor/dealer in your area, or for more information, contact us at 1-800-888-6626 (or 763-574-5000), or visit [www.cumminsonan.com](http://www.cumminsonan.com).

**Contact your distributor/dealer for more information.**

# Cummins Onan

## Cummins Power Generation

1400 73rd Ave. NE  
Minneapolis, MN 55432 USA  
Phone 1 763 574 5000  
Toll-free 1 800 888 6626  
Fax 1 763 574 5298  
Email [www.cumminsonan.com/contact](http://www.cumminsonan.com/contact)

## Performance you rely on.™

©2015 Cummins Power Generation Inc. All rights reserved.  
Cummins®, Onan®, the "C" logo, Performance you rely on.™ and Quiet Diesel™ are servicemarks, trademarks and/or registered trademarks of Cummins Inc. Other company, product, or service names may be trademarks or service marks of others.  
Specifications are subject to change without notice.  
A-1430I (8/15)



[cumminsonan.com](http://cumminsonan.com)