

PowerCommand® Remote Annunciator Panel (LonWorks System annunciator)



> Specification sheet

Our energy working for you.™



Power Generation

Description

The PowerCommand® Network Annunciator is a network component that provides remote system status indication for emergency and other power systems in compliance to the requirements of NFPA 110. The network annunciator may also be used for remote indication of any condition that is monitored by a PowerCommand Network.

The Network Annunciator reduces installation costs and improves design flexibility by use of a PowerCommand Network to transmit all the genset and transfer switch system signals rather than using relay contacts for this purpose.

Control power for PowerCommand Network products is usually derived from the genset starting batteries. The control functions over a voltage range from 8 VDC to 35 VDC.

Features

- Visual indication of 20 network conditions and network status.
- Audible indication of any network condition - Annunciator also includes pushbutton switch to silence the audible alarm. Alarm horn sound level is approximately 90 dB(A) at 30 cm.
- Standard NFPA 110 label, field configurable for other alarm and status conditions.
- Configurable for compliance to NFPA 99 requirements.
- Sealed membrane panel design provides environmental protection for internal components and is easy to clean.
- Warranty - PowerCommand Controls are supported by a worldwide network of independent distributors who provide parts, service and warranty support.
- UL Listed and labeled; CSA certified; CE marked.
- Wall mount NEMA 1 enclosure or flush mount configurations available.

Specifications

Signal requirements

Network connections: Echelon® LonWorks®, twisted-pair 78 kbps, FT-10.

Control power: 8-30 VDC, 3.5 W (maximum) 0.8 W typical.

Wiring materials for network signals are UL Listed 4 twisted pair wiring. Terminations for control power accept wire up to 16 ga.

Environment

The annunciator is designed for proper operation in ambient temperatures from -40 °C to +70 °C (-40 °F to +158 °F) and for storage from -40 °C to +80 °C (-40 °F to +176 °F). Control will operate with humidity up to 95%, non-condensing and at altitudes up to 5000 m (13,000 ft).

Alarm Horn

Sound Level: 90 dB(A) at 30 cm

Physical

Weight: 1.45 kg (3.2 lbs) (board plus enclosure)

Power

Maximum Consumption: 5 W

Standby Consumption: 0.4 W or less

Network Length: Maximum 1400 m (4600 ft), when using NEMA Level 4 cable

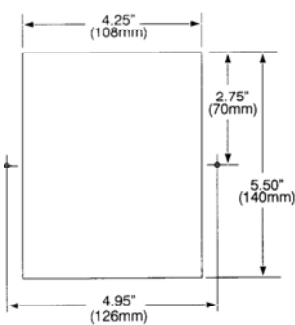
Self-binding configurations - Supports use of up to four annunciators with up to one genset and one transfer switch.

Maximum wire lengths - control power-self-binding system

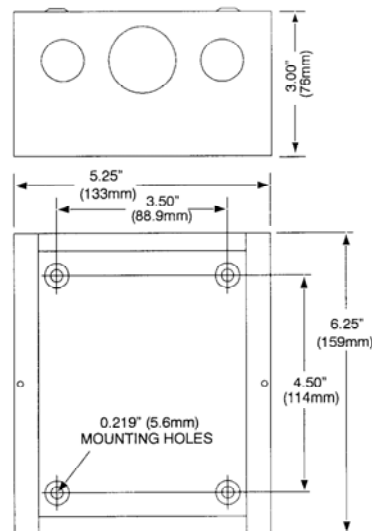
Wire size	12 VDC	24 VDC
22 ga	100 m (330 ft)	338 m (1100 ft)
20 ga	158 m (520 ft)	537 m (1760 ft)
18 ga	250 m (820 ft)	852 m (2790 ft)
16 ga	398 m (1300 ft)	1352 m (4430 ft)
14 ga	631 m (2070 ft)	1400 m (4600 ft)

Dimensions

Cut out detail (without enclosure)



Annunciator enclosure



Dimensions: in (mm)

Our energy working for you.™

www.cumminspower.com

©2007 | Cummins Power Generation Inc. | All rights reserved | Specifications subject to change without notice | Cummins Power Generation and Cummins are registered trademarks of Cummins Inc. PowerCommand and "Our energy working for you." are trademarks of Cummins Power Generation. Other company, product, or service names may be trademarks or service marks of others.
S-1343e (9/07)



Label configurations & standard bindings

NFPA 110 genset alarm and status annunciator

The following conditions are provided as standard on the annunciator:

- High battery voltage (A)
- Low battery voltage (A)
- Genset running (G)
- Genset supplying load (G)
- Pre-low oil pressure (A)
- Low oil pressure (R)
- Pre-high coolant temperature (A)
- High coolant temperature (R)
- Low engine temperature (A)
- Overspeed (R)
- Fail to start (overcrank) (R)
- Not in auto (R)
- Battery charger malfunction (A)
- Low fuel (A)
- Low coolant level (R)
- Spare (4) (G)
- Common alarm

(A) = Amber; (R) = Red; (G) = Green

Extended genset alarm and status annunciator

The following conditions are provided as standard on the annunciator:

- Check genset (R)
- Ground fault (A)
- High AC voltage (R)
- Low AC voltage (R)
- Under frequency (R)
- Overload (R)
- Over current (R)
- Short circuit (R)
- Reverse KW (R)
- Reverse kVAR (A)
- Fail to sync (A)
- Fail to close (R)
- Load demand (G)
- Genset CB tripped (R)
- Utility CB tripped (R)
- Emergency stop (R)
- Spare (4) (G)

(A) = Amber; (R) = Red; (G) = Green

8-Point (genset)

The following conditions are provided as standard on the annunciator:

- Check genset (A)
- Genset supplying load (A)
- Genset running (G)
- Not in auto (G)
- High/low engine temp (G)
- Low oil pressure (A)
- Low coolant level (R)
- Low fuel level (A)
- Spare (8) (G)

(A) = Amber; (R) = Red; (G) = Green

4-Point (genset)

The following conditions are provided as standard on the annunciator:

- Check genset (A)
- Genset supplying load (A)
- Genset running (G)
- Not in auto (G)
- Spare (16) (G)

(A) = Amber; (R) = Red; (G) = Green

ATS-extended

This annunciation set is often used with PLT-series equipment. The following conditions are provided as standard on the annunciator:

- Source 1 available (G)
- Source 2 available (G)
- Source 1 connected (G)
- Source 2 connected (G)
- Check ATS (R)
- ATS not in auto
- Test/exercise
- Transfer pending
- Load shed
- Transfer inhibit
- Fail to close
- Fail to disconnect
- Fail to synchronize
- Low battery-controller
- Low battery-network

(A) = Amber; (R) = Red; (G) = Green

ATS 8-point

The following conditions are provided as standard on the annunciator:

- Source 1 available (G)
- Source 2 available (G)
- Source 1 connected (G)
- Source 2 connected (G)
- Common alarm (A)
- Not in auto (R)
- Test/exercise mode (A)
- Low control battery (A)
- Spare (8) (G)

(A) = Amber; (R) = Red; (G) = Green

ATS 4-point

The following conditions are provided as standard on the annunciator:

- Source 1 available (G)
- Source 2 available (G)
- Source 2 connected (G)
- Source 1 connected (G)

(A) = Amber; (R) = Red; (G) = Green

Our energy working for you.™

www.cumminspower.com

Custom alarm configuration

#	Color (R/Y/G)	Label	Horn (Y/N)	#	Color (R/Y/G)	Label	Horn (Y/N)
1				11			
2				12			
3				13			
4				14			
5				15			
6				16			
7				17			
8				18			
9				19			
10				20			

Ordering information

Part number	Description
0541-0814-01	Network annunciator, open construction, for panel mounting
0541-0814-02	Network annunciator including control box for surface wall mounting

See your distributor for more information.

Cummins Power Generation

Americas

1400 73rd Avenue N.E.
 Minneapolis, MN 55432 USA
 Phone: 763 574 5000 USA
 Fax: 763 574 5298

Europe, CIS, Middle East and Africa

Manston Park Columbus Ave.
 Manston Ramsgate
 Kent CT 12 5BF United Kingdom
 Phone 44 1843 255000
 Fax 44 1843 255902

Asia Pacific

10 Toh Guan Road #07-01
 TT International Tradepark
 Singapore 608838
 Phone 65 6417 2388
 Fax 65 6417 2399

Our energy working for you.™

www.cumminspower.com

©2007 | Cummins Power Generation Inc. | All rights reserved | Specifications subject to change without notice | Cummins Power Generation and Cummins are registered trademarks of Cummins Inc. PowerCommand and "Our energy working for you." are trademarks of Cummins Power Generation. Other company, product, or service names may be trademarks or service marks of others.
 S-1343e (9/07)

