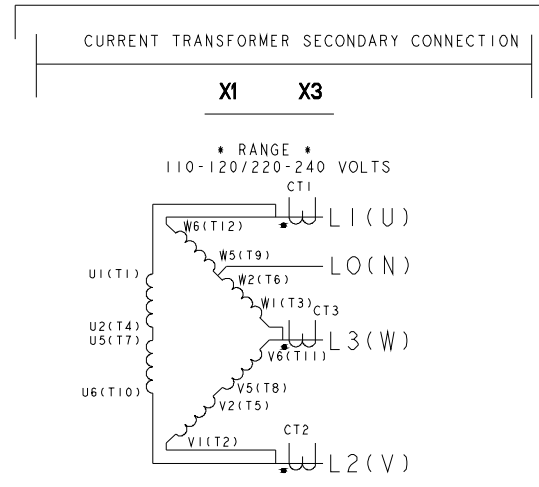


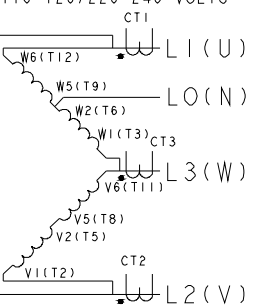
REL NO	LTR	NO	REVISION	ZONE	DR	CHKR	APPROVED	DATE
FRD11979	A	1	PRODUCTION RELEASE	-	MTA	PL	LARSON	03-21-02
FRD13797	B	1	SEE ECO	-	MTA	PL	LARSON	08-05-02
FRD13996	C	1	REVISED -06 SEE SHEET 2	-	MTA	PL	LARSON	08-28-02
FRD18982	D	1	SEE SHEET 2	-	RES	PL	LARSON	01-09-04
		2	SEE SHEET 2	-	RES	PL	LARSON	01-09-04
		3	SEE SHEET 2	-	RES	PL	LARSON	01-09-04

UC GENERATORS

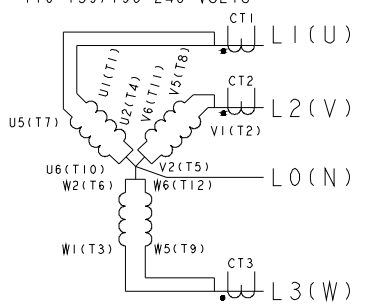
3 PHASE RECONNECTABLE, 12 LEAD



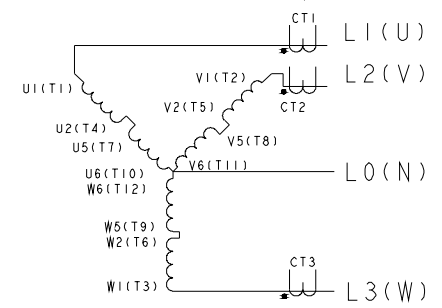
* RANGE *
110-120/220-240 VOLTS



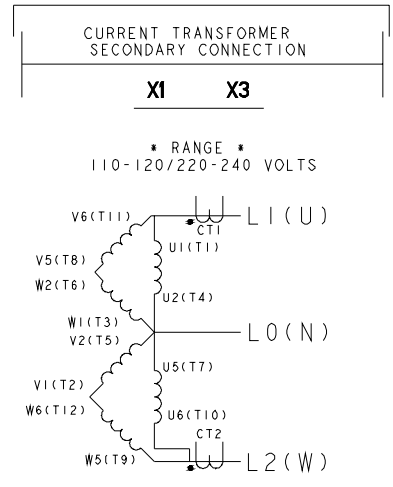
* RANGE *
110-139/190-240 VOLTS



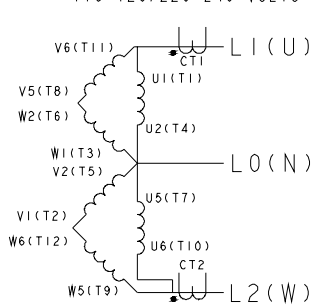
* RANGE *
220-277/380-480 VOLTS



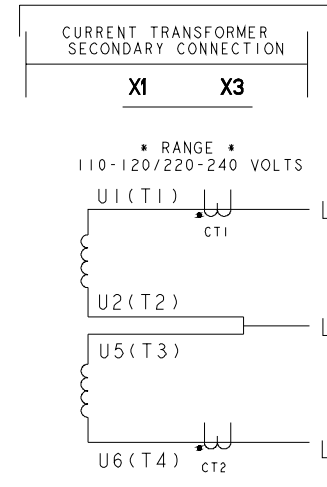
1 PHASE RECONNECTABLE, 12 LEAD



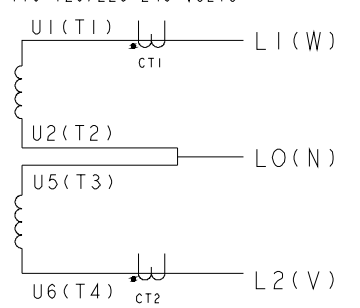
* RANGE *
110-120/220-240 VOLTS



1 PHASE NON-RECONNECTABLE, 4 LEAD



* RANGE *
110-120/220-240 VOLTS



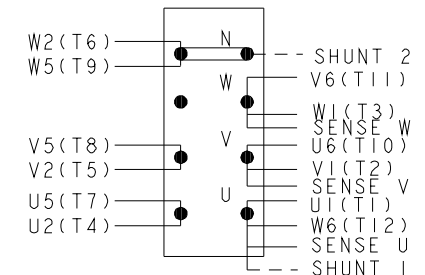
SERIES DELTA
3 PHASE 4 WIRE
OUTPUT TERMINALS
U, V, W, N.

PARALLEL STAR
3 PHASE 4 WIRE
OUTPUT TERMINALS
U, V, W, N.

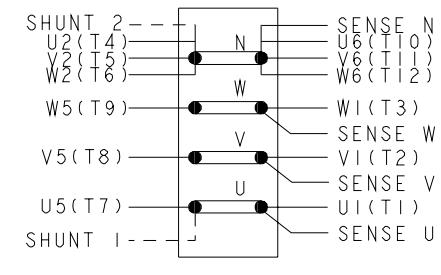
SERIES STAR
3 PHASE 4 WIRE
OUTPUT TERMINALS
U, V, W, N.

DOUBLE DELTA
1 PHASE 3 WIRE
OUTPUT TERMINALS
U, W, CENTER TAP N.

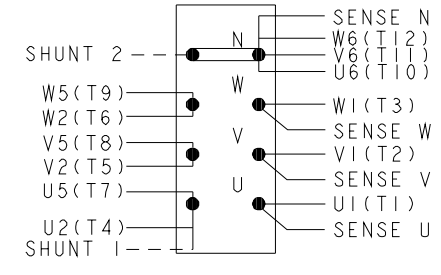
1 PHASE 3 WIRE
OUTPUT TERMINALS
W, V, CENTER TAP N.



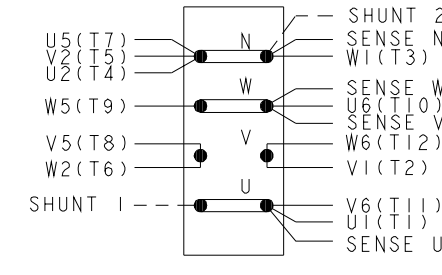
- 01



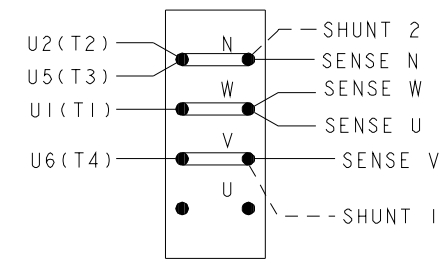
- 02



- 03



- 04



- 05

FEATURE CODE	VOLTAGE	50HZ		60HZ	
		WINDING 11	WINDING 11	WINDING 14	WINDING 14
R028	110/220	X	-	-	X
R071	115/230	X	-	-	X
R106	120/240	X	X	X	X

NOTE: SENSE LEAD N IS NOT USED. TAPE END AND TIE BACK.

FEATURE CODE	VOLTAGE	50HZ		60HZ	
		WINDING 11	WINDING 11	WINDING 14	WINDING 14
R004	110/190	X	-	-	X
R050	115/200	X	-	-	X
R098	120/208	X	X	X	X
R020	127/220	X	X	-	-
R067	139/240	-	X	-	-

NOTES:

- UVW PHASE SEQUENCE WITH C.W. ROTATION FACING DRIVE END.
- WHEN RECONNECTING GENERATOR LEADS, BOLTS SHOULD BE TORQUED AT 22 0942 FT-LBS.

FEATURE CODE	VOLTAGE	50HZ		60HZ	
		WINDING 11	WINDING 11	WINDING 14	WINDING 14
R099	220/380	X	-	-	X
R029	230/400	X	-	-	X
R003	240/416	X	X	X	X
R023	255/440	X	X	-	-
R002	277/480	-	X	-	-

FEATURE CODE	VOLTAGE	50HZ		60HZ	
		WINDING 11	WINDING 11	WINDING 14	WINDING 14
		2/3 OUTPUT	FULL OUTPUT	2/3 OUTPUT	FULL OUTPUT
R046	110/220	X	X	-	-
R041	115/230	X	X	-	-
R104	120/240	X	X	X	X

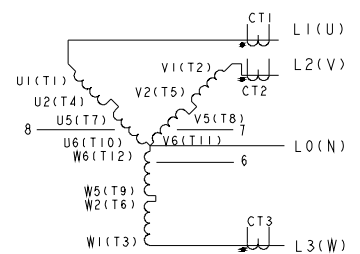
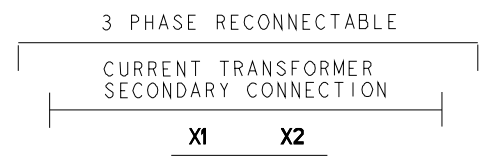
FEATURE CODE	VOLTAGE	50HZ		60HZ	
		WINDING 11	WINDING 11	WINDING 14	WINDING 14
R046	110/220	-	-	-	X
R041	115/230	-	-	-	X
R104	120/240	-	-	-	X

TABULATION	
0630_2404_01	FRD11979
0630_2404_02	FRD11979
0630_2404_03	FRD11979
0630_2404_04	FRD13797
0630_2404_05	FRD13797
0630_2404_06	FRD13996
0630_2404_07	FRD18982

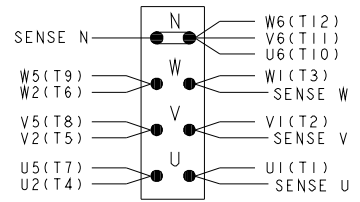
DO NOT SCALE PRINT	TOLERANCE UNLESS OTHERWISE SPECIFIED	INCH	MM	QTY	ITEM	PART NO	DR	DATE	REF DIS
	.001		.025	1	DR	TABEL		03-21-02	
	.005		.050	1	DR	P.LARSON		03-21-03	
	.010		.100	1	DR	P.LARSON		03-21-02	
ANG TOL ± 1.0	0.00-4.99	+0.15/-0.00	.004-.200	+0.001/-0.003	FOR INTERPRETATION OF DIMENSIONS AND TOLERANCES, SEE ANG1-Y1.2, SM-1982				
SCALE OF	18.00-17.99	+0.20/-0.10	.021-.021	+0.001/-0.004	MODEL FIRST USED ON				
	17.50-24.99	+0.30/-0.15	.022-.022	+0.001/-0.005	PCC 2100				
					PGA				
CUMMINS POWER GENERATION 4000 75RD AVE NE MINNEAPOLIS, MINNESOTA 55432								TITLE WD-GENSET (RECONNECT)	
DRAWN TO 1/1								SHEET 1 OF 2	
0630_2404								D	

REL NO	LTR	NO	REVISION	ZONE	DR	CHKR	APPROVED	DATE
FRD11979	A	1	PRODUCTION RELEASE	-	MTA	PL	LARSON	03-21-02
FRD13797	B	1	SEE ECO	-	MTA	PL	LARSON	08-05-02
FRD13996	C	1	REVISED SHUNT ON -06	6B	MTA	PL	LARSON	08-28-02
FRD18982	D	1	REMOVE SHUNT LEADS ON -07	2B	RES	PL	LARSON	01-09-04
		2	ADD NOTE 2 TO -07	3B	RES	PL	LARSON	01-09-04
		3	PCC2100 WAS DYNASTY	1A	RES	PL	LARSON	01-09-04

UC GENERATORS



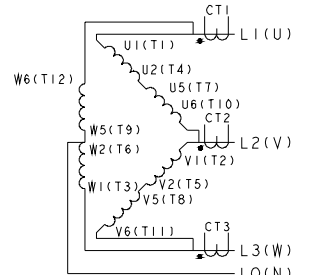
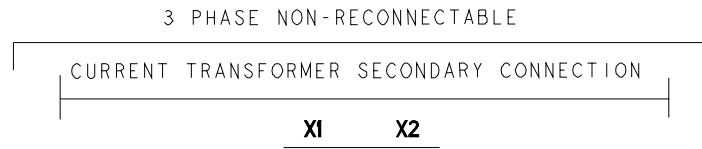
SERIES STAR
3 PHASE 4 WIRE
OUTPUT TERMINALS
U, V, W, N



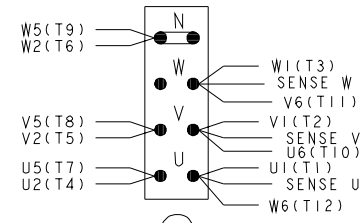
NOTE: FOR SHUNT OPERATION, CONNECT AC HARNESS LEADS:
PMG2 TO GENERATOR TAP LEAD 8
PMG3 TO GENERATOR TAP LEAD 7

(C1) PMG4 NOT CONNECTED
TAPE & TIE BACK PMG4 AND LEAD 6
- 06

FEATURE CODE	VOLTAGE	50HZ	60HZ
R114	600	-	X



SERIES DELTA
3 PHASE 4 WIRE
OUTPUT TERMINALS
U, V, W, N



NOTES:
1. SENSE LEAD N IS NOT USED.
TAP END AND TIE BACK.
(D2) 2. PMG MUST BE USED.
SHUNT NOT ALLOWED

(D3)

FEATURE CODE	VOLTAGE	50HZ	60HZ
R019	120/240	X	-
R119	240/480	-	X

PCC2100 CONTROL

TOLERANCE UNLESS OTHERWISE SPECIFIED		DIM TO 0625-3485		ITEM	PART NO	DR	DESCRIPTION OR MATERIAL	REF
mm		inch		D				
X ± 1		.X ±		NAME				
.X ± 0.8		.XX ±		DATE				
.XX ± 0.38		.XXX ±		DR T.ABEL				
				DATE 03-21-02				
				CHGR DR P.LARSON				
				DATE 03-21-03				
				APPROVED P.LARSON				
				DATE 03-21-02				
ANG TOL ± 1.0 °		0.09-4.99 ±0.15/0.08		FOR INTERPRETATION OF DIMENSIONS AND TOLERANCES, SEE ANS1 Y14.5M-1982				
SCALE OF		1:1		MODEL FIRST USED ON				
				PCC 2100				
				SITE CODE				
				PGA				
				TITLE				
				WD-GENSET (RECONNECT)				
				DWG NO				
				0630_2404				
				SHEET				
				2 of 2				
				D				