

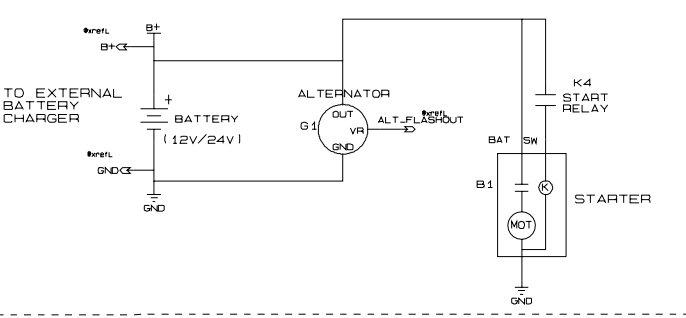
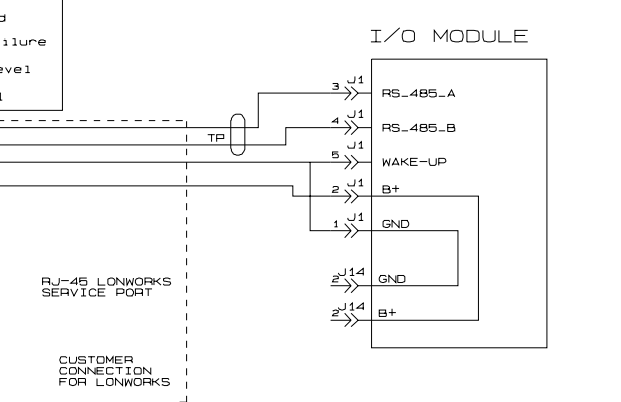
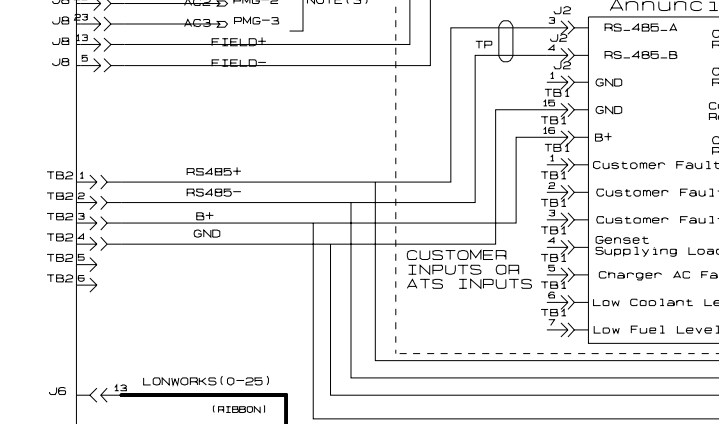
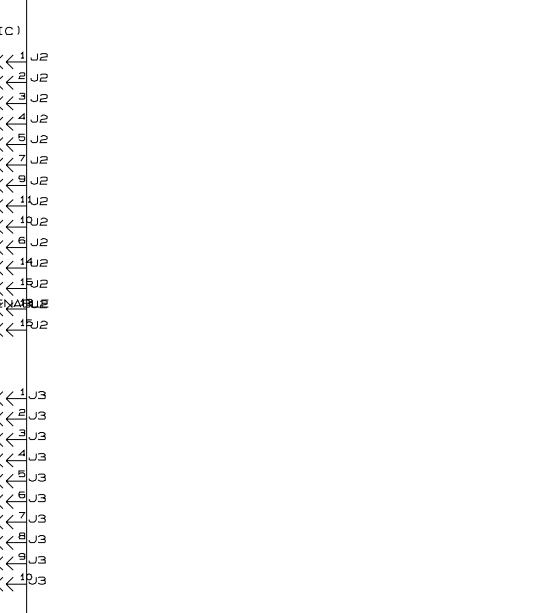
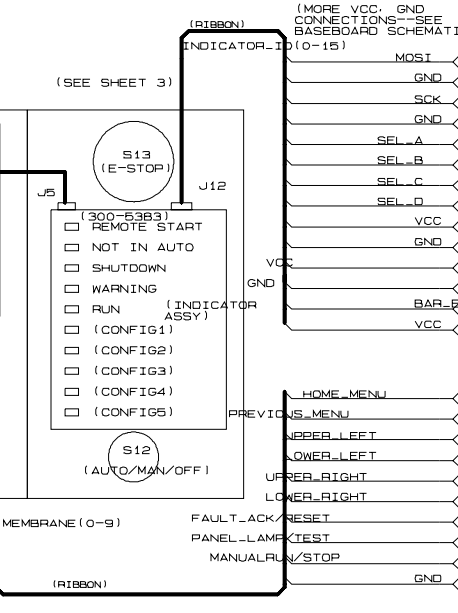
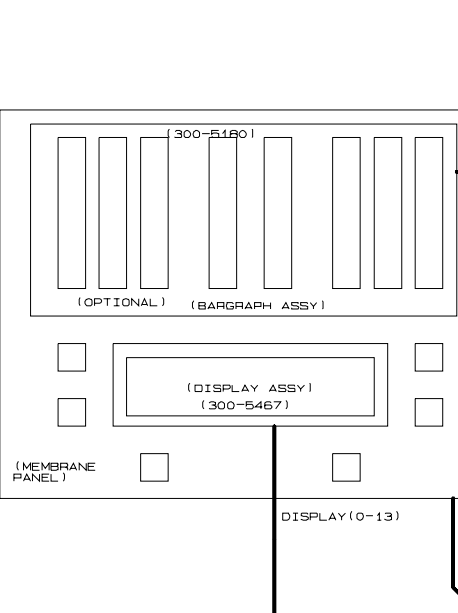
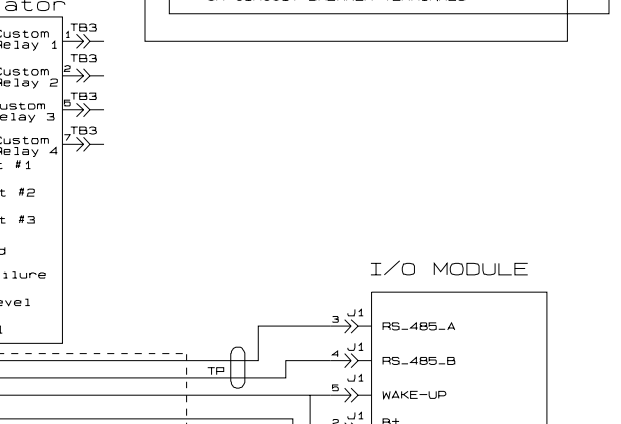
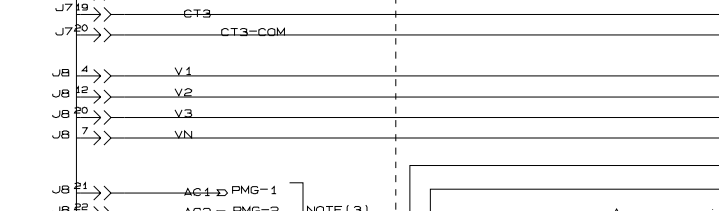
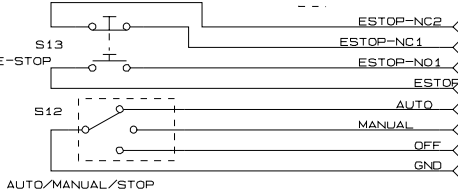
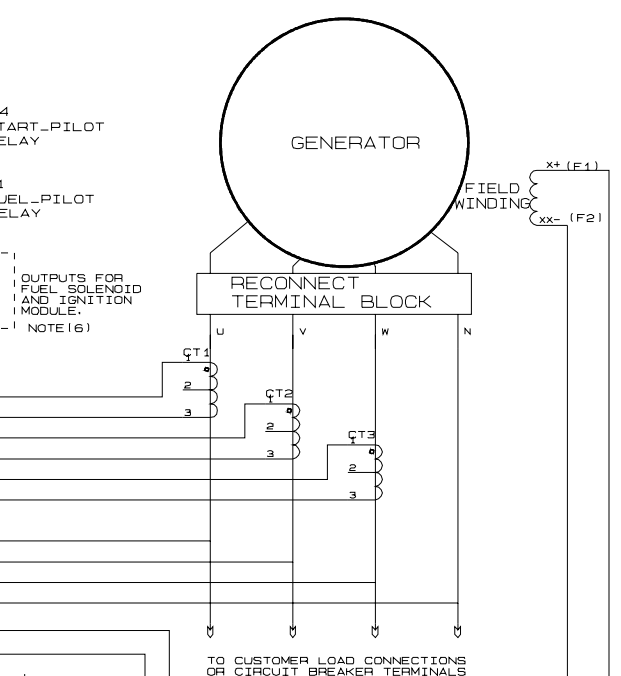
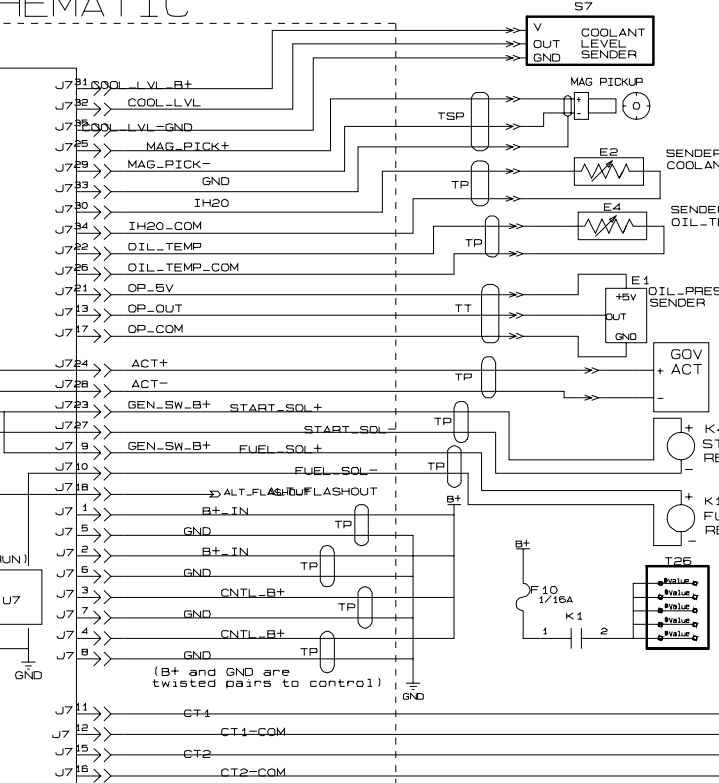
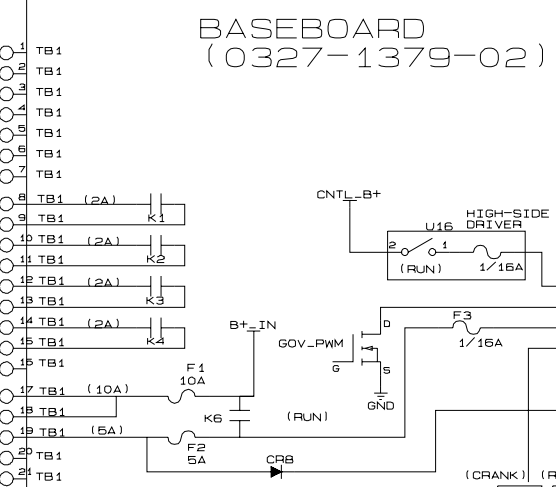
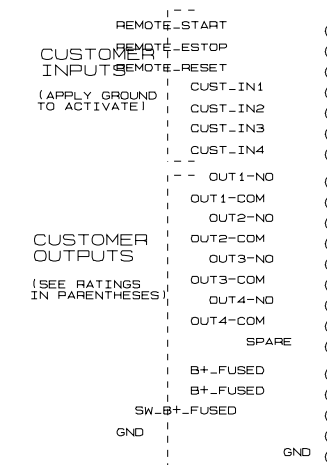
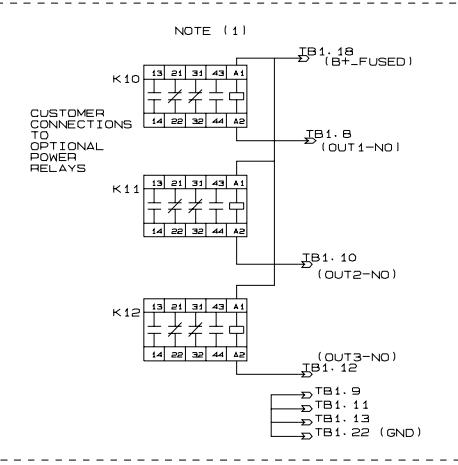
0612-6764 D

PCC 2100 CONTROL SYSTEM SCHEMATIC

NOTE(2)

REL. NO.	LTR.	NO.	REVISION	ZONE	DR.	CHKD.	APPROVED	DATE
FRD0852	A	1	PRODUCTION RELEASE	-	AJP	AJP	AJP	3/26/01
FRD10284	B	1	CHANGE RELAY SYMBOL K10-K11-K12	6-0	AJP	AJP	AJP	10/19/01
		2	ALT-FLASH-OUT NOW SHOWN AS FUSED	-	AJP	AJP	AJP	10/19/01
		3	SEE SHEET 2	-	AJP	AJP	AJP	10/19/01
		4	SEE SHEET 2	-	AJP	AJP	AJP	10/19/01
		5	SEE SHEET 2	-	AJP	AJP	AJP	10/19/01
		6	SEE SHEET 2	-	AJP	AJP	AJP	10/19/01
		7	SEE SHEET 3	-	AJP	AJP	AJP	10/19/01
		8	SEE SHEET 3	-	AJP	AJP	AJP	10/19/01
FRD11284	C	1	SEE SHEET 2	-	AJP	MFG	AJP	12/27/01
		2	SEE SHEET 4	-	AJP	MFG	AJP	12/27/01
FRD22108	D	1	REMOVED PTC MODULE	-	JFM	JRS	JRS	02/07/06
		2	ADDED UNIVERSAL ANNUNCIATOR	-	JFM	JRS	JRS	02/07/06
		3	REMOVED PTC WIRING (SHEETS 2 & 4)	-	JFM	JRS	JRS	02/07/06
FRD26258	E	1	REVISED PER FRD	-	JFM	BN	NESS	01/17/06

Everything inside the dotted line is inside the Dynasty control enclosure.

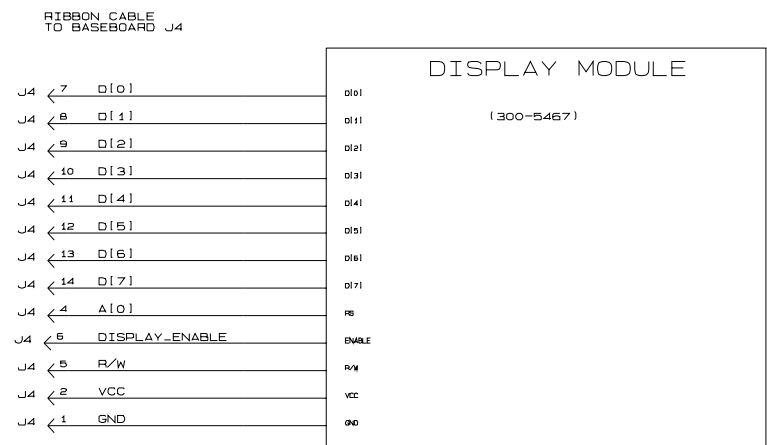
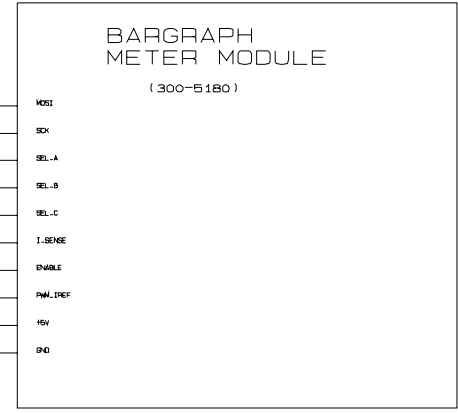
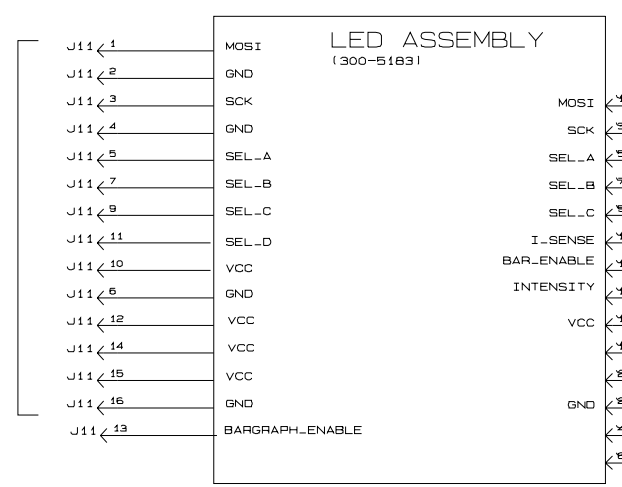
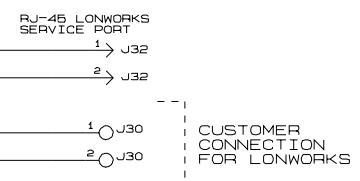
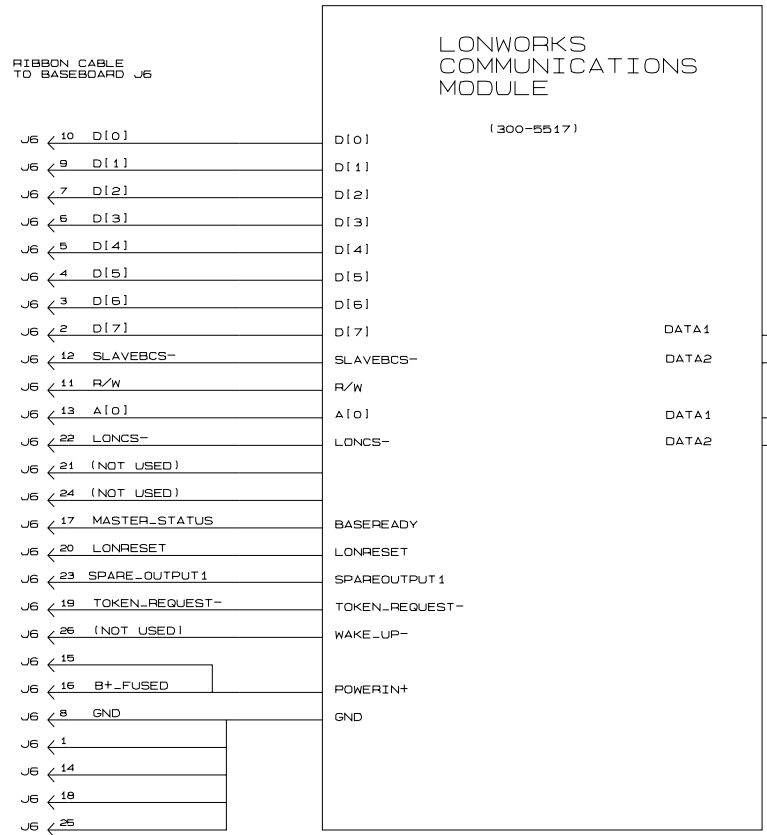


(FOR REFERENCE ONLY)

TOLERANCES UNLESS OTHERWISE SPECIFIED		SIM TO		QTY		ITEM PART NO.		DWG. SIZE		DESCRIPTION OR MATERIAL		REF. DES.			
mm	Inch	COPIED FROM		DR	AJP	DATE	3/22/01	<p>CUMMINS POWER GENERATION</p> <p>1400 7th AVE NE</p> <p>MINNEAPOLIS, MN 55412</p>				TITLE			
0.004-0.005	.0004-.0005	THIRD ANGLE PROJECTION		D-WR	AJP	DATE	3/22/01					SITE CODE		WD-CONTROL	
0.004-0.005	.0004-.0005			APPROVED	AJP	DATE	3/22/01					MODEL FIRST USED ON		PCC 2100	
HP SYS DWG		DO NOT SCALE PRINT	ANG TOL. 1	DWG NO.		0612-6764		SHEET		1 OF 2		DWG. SIZE			

0612-6764 D

REL. NO.	LTR.	NO.	REVISION	ZONE	DR	CHKD	APPROVED	DATE
FRD0692	A	1	PRODUCTION RELEASE	-	AJP	AJP	AJP	3/22/01
FRD10984	B	7	REMOVED J30, 3; J30, 4 (NOT USED)	-	AJP	AJP	AJP	10/18/01
	B		ADDED NOTE (6)	-	AJP	AJP	AJP	10/18/01
FRD11284	C	-	-----	-	-----	-----	-----	-----
FRD22108	D	1	THIS WAS SHIT 3 ADDED NOTES FROM SHIT 4	-	JFM	URS	JRS	02/07/06
FRD26258	E	-	-----	-	-----	-----	-----	-----



- NOTES:
- (1) K10, K11, K12 ARE OPTIONAL DIN RAIL MOUNTED RELAYS.
 - (2) TSP, IS TWISTED, SHIELDED PAIR, 20 AWG
TP IS TWISTED PAIR, 20 AWG
TT IS TWISTED TRIPLE, 20 AWG
 - (3) FOR SHUNT OPERATION, CONNECT AC1 AND AC2 TO GENERATOR OUTPUTS (250VAC MAX)
 - (4) USE T26 OUTPUT FOR FUEL SOLENOID(S) AND/OR IGNITION MODULE(S) AS REQUIRED FOR EACH GENERATOR PLATFORM.

TOLERANCES UNLESS OTHERWISE SPECIFIED		SIM TO		QTY	ITEM	PART NO.	DWG SIZE	DESCRIPTION OR MATERIAL	REP DES
mm	Inch	COPIED FROM			DR	AJP		DATE	
0.00-4.99	10.15/-0.00	.XX	++		D-WR			3/22/01	
5.00-9.99	10.25/-0.10	.XXX	+++		MFG	AJP		3/22/01	
10.00-17.49	10.25/-0.13	.XXX	+++		APPROVED	AJP		3/22/01	
17.50-24.99	10.30/-0.13	.XXX	+++						

HP SYS DWG	DO NOT SCALE PRINT	ANG. TOL. ±	SCALE TO DRAWN TO SCALE OF	THIS DOCUMENT IS THE PROPERTY OF CUMMINS POWER GENERATION. IT IS NOT TO BE REPRODUCED OR COPIED WITHOUT THE EXPRESS WRITTEN PERMISSION OF CUMMINS POWER GENERATION OR ITS REPRESENTATIVE.	APPROVED	DATE	MODEL FIRST USED ON	PCC 2100	SITE CODE	PGA	TITLE	WD-CONTROL	DWG NO.	0612-6764	SHEET	2 of 2	DWG SIZE	D
------------	--------------------	-------------	----------------------------	---	----------	------	---------------------	----------	-----------	-----	-------	------------	---------	-----------	-------	--------	----------	---

CUMMINS POWER GENERATION
1400 79th AVE NE
MINNEAPOLIS, MN 55432

DATE: 3/22/01

APPROVED: AJP

MODEL FIRST USED ON: PCC 2100

SITE CODE: PGA

TITLE: WD-CONTROL

DWG NO.: 0612-6764

SHEET: 2 of 2

DWG SIZE: D